

Features Of LiFePO4 Battery

Longer Cycle Life: Offers up to 20 times longer cycle life and five times longer float/calendar life than lead acid battery, helping to minimize replacement cost and reduce total cost of ownership.

Lighter Weight: About 40% of the weight of a comparable lead acid battery. A 'drop in' replacement for lead acid batteries.

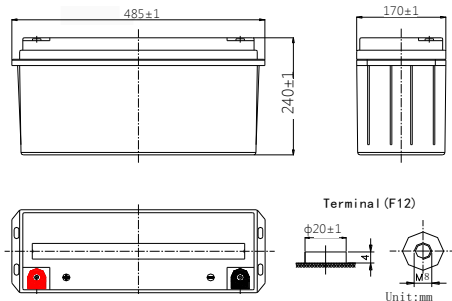
Higher Power: Delivers twice power of lead acid battery, even high discharge rate, while maintaining high energy capacity.

Wider Temperature Range: -20°C~60°C.

Superior Safety: Lithium Iron Phosphate chemistry eliminates the risk of explosion or combustion due to high impact, overcharging or short circuit situation.



Physical Dimension-mm



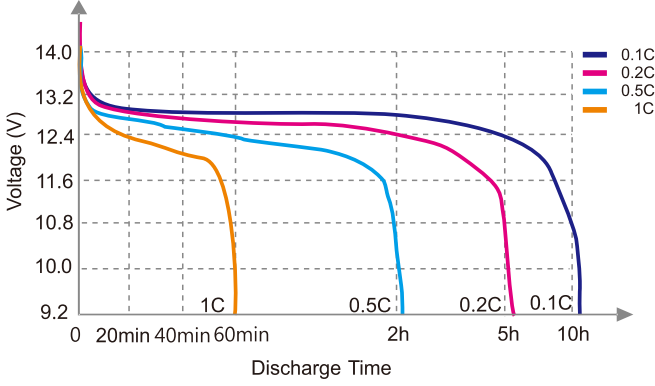
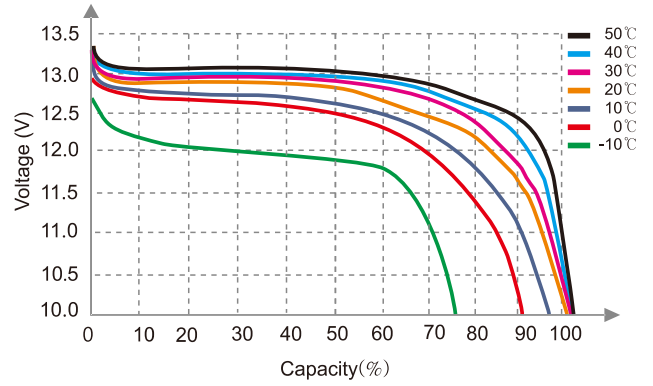
Typical Applications

- Wheelchairs and scooters
- Solar/wind energy storage
- Back-up power for small UPS
- Golf trolleys & buggies
- Electric bikes
- Tools

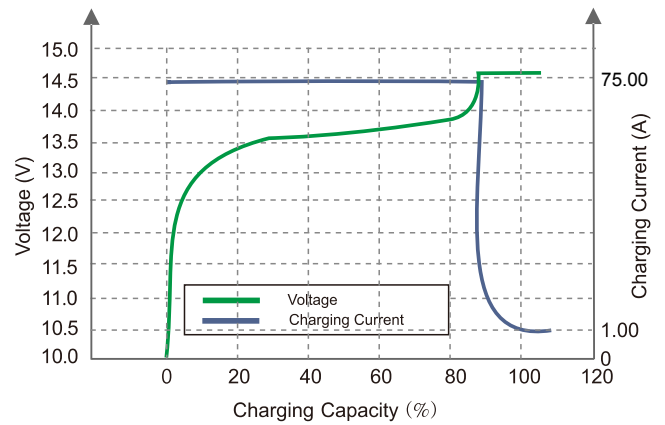
Specification

Electrical Characteristics	Nominal Voltage	12.8V
	Nominal Capacity	150Ah
	Energy	1920Wh
	Internal Resistance(AC)	≤20mΩ
	Cycle Life	> 3000 cycles @0.5C 80%DOD
	Months Self Discharge	<3%
	Efficiency of Charge	100% @0.5C
	Efficiency of Discharge	96~99% @1C
Standard Charge	Charge Voltage	14.6 ±0.2V
	Charge Mode	0.5C to 14.6V, then 14.6V,charge current to 0.02C (CC/CV)
	Charge Current	75A
	Max. Charge Current	150A
	Charge Cut-off Voltage	14.6 ±0.2V
Standard Discharge	Rated Discharge Current	75A
	Max. Discharge Current	150A
	Discharge Cut-off Voltage	10 ±0.2V
Environmental	Charge Temperature	0°C to 55°C (32F to 131F) @60±25% Relative Humidity
	Discharge Temperature	-20°C to 60°C (-4F to 140F) @60±25%Relative Humidity
	Storage Temperature	-20°C to 45°C (-4F to 113F) @60±25% Relative Humidity
	IP Class	IP65
Mechanical	Plastic Case	ABS
	Approx. Dimensions	485mm · 170mm · 240mm (19.09in · 6.69in · 9.44in)
	Approx. Weight	≈16kg (≈35.2lbs)
	Terminal	M8

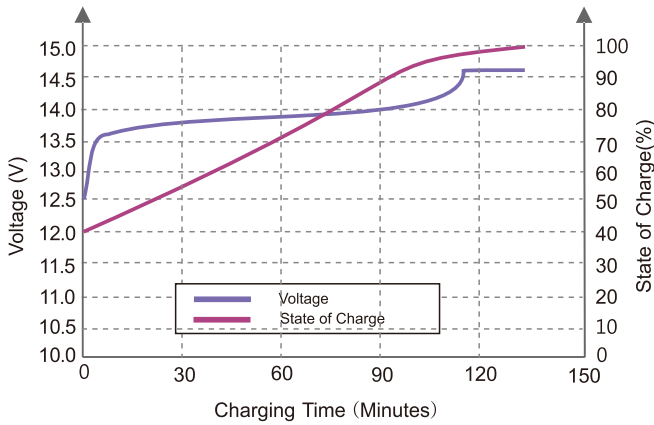
Different Temperature Discharge Curve(0.5C)



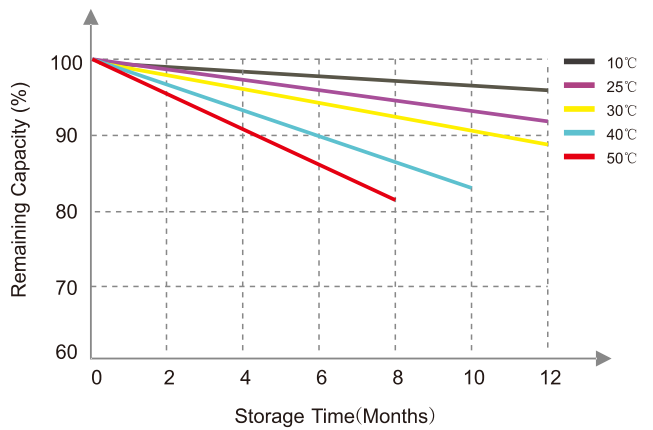
Charging Characteristics(0.5C, 25°C)



State of Charge Curve(0.5C, 25°C)



Different Temperature Self Discharge Curve



Different DOD Discharge Cycle Life Curve(0.5C)

